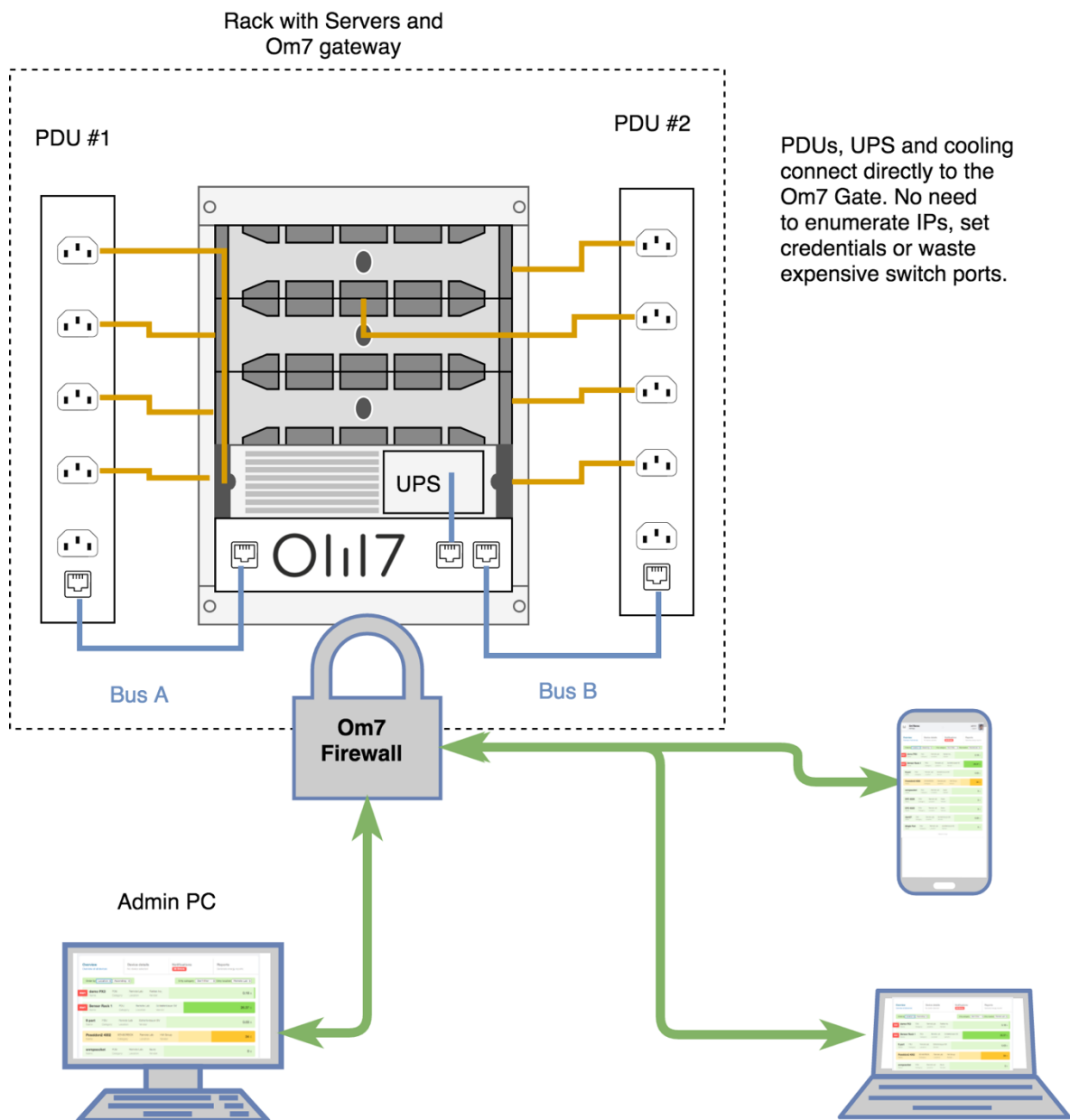


# Om7: Smart energy management that scales from single rack to multi-DC

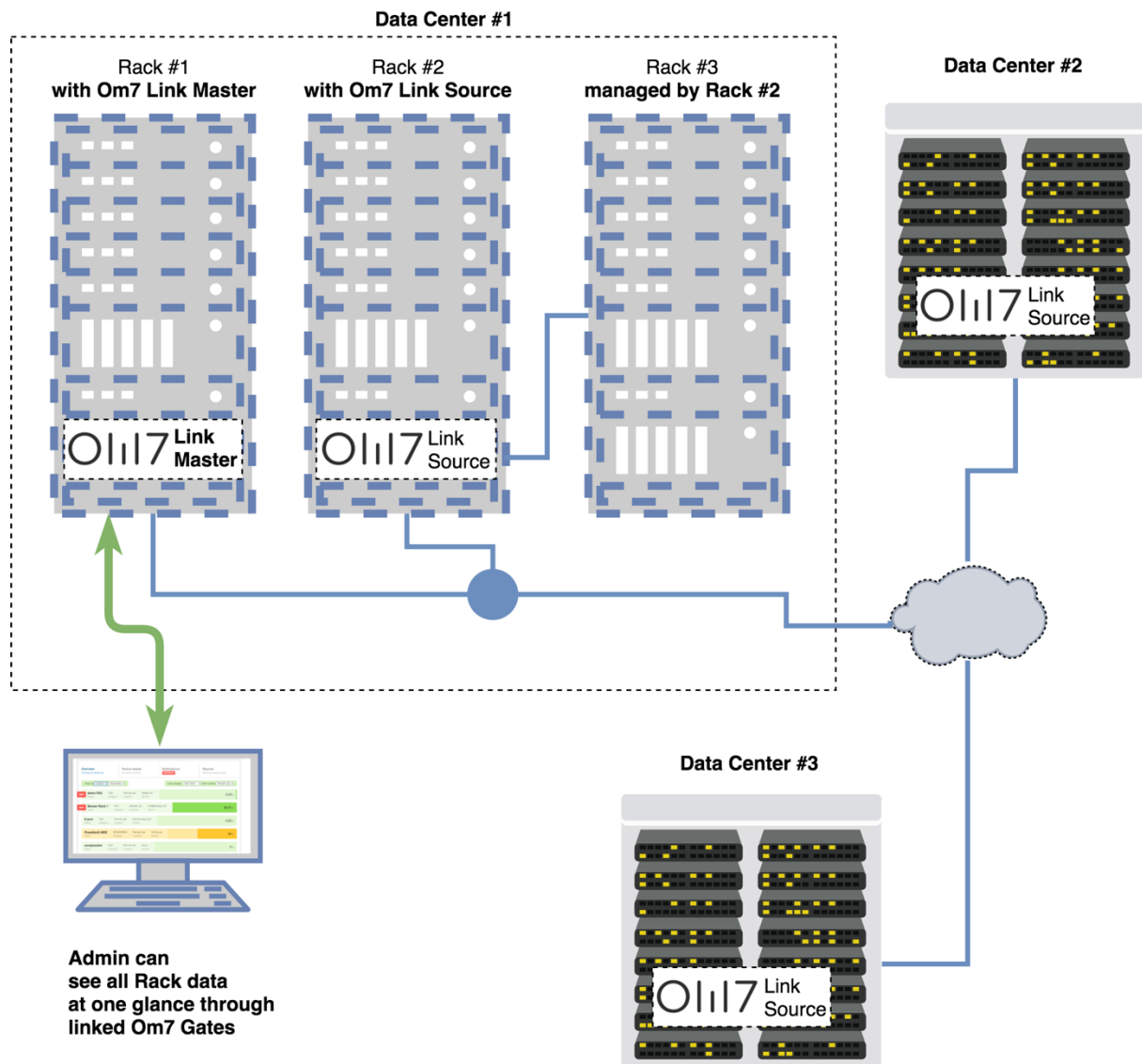
Modern Data Centers feature a **high density of servers** and CPUs to provide a maximum of processing power on a small footprint. This leads to **high energy consumption** and potential **thermal issues**. To achieve high availability two or more power lines are used for redundancy which increases the **management complexity**.

Om7 is a **multi-vendor energy management** solution that scales from a single small rack up to complete Data Centers. Each Om7 Gateway interfaces with Power Distribution Units (PDU), UPS and environmental sensors directly. This approach means you don't need cabling, IP management and user setup of these devices, **saving management time and valuable switch ports** while keeping your infrastructure devices securely off the Internet.



# Om7SENSE

As your network grows, you can **add Om7 Gateways** at any time and use **Om7 Link** to **connect** them. You designate one Gateway as the **Link Master** and all other Om7 as **Link Sources**. The Master shows of all Data Centers' **state at a glance and allows full control**.



Our **strong UI** shows an overview as easily as **in-depth data analysis or reporting**, and we pride ourselves on top-notch **User Experience** to **show the data you need**. **Real-time notifications** keep you up-to-date on what is happening in your Data Centers. Built completely for the **web browser** it works with all operating systems or device form factors including **tablets and phones** – **no plugins needed**.

Try our **live demo** at [demo.om7sense.com](https://demo.om7sense.com) or find out more about us at [om7sense.com](https://om7sense.com). We'd also love to hear from you:

Om7Sense GmbH  
+49-8072-9369985  
[info@om7sense.com](mailto:info@om7sense.com)

Gefördert durch:



aufgrund eines Beschlusses des Deutschen Bundestages



Zusammen.  
Zukunft.  
Gestalten.